



## **EM EMSL / EMSL T**

Sliding Door Operators

[www.ementrematic.com](http://www.ementrematic.com)

# High-Performance Operator

The EM EMSL/EMSL T (Telescopic) sliding door operator combines valuable features and innovations to create optimal function and performance. These operators have earned a reputation for user-friendliness and robust reliability due to low maintenance needs, resulting in a problem-free investment that will function well in a wide variety of climates and traffic needs. The EM EMSL/EMSL T can be integrated as part of the EM Entrematic profile system EMPS and they can also be adapted to a wide range of different doors and customer requirements.

## Easy Installations

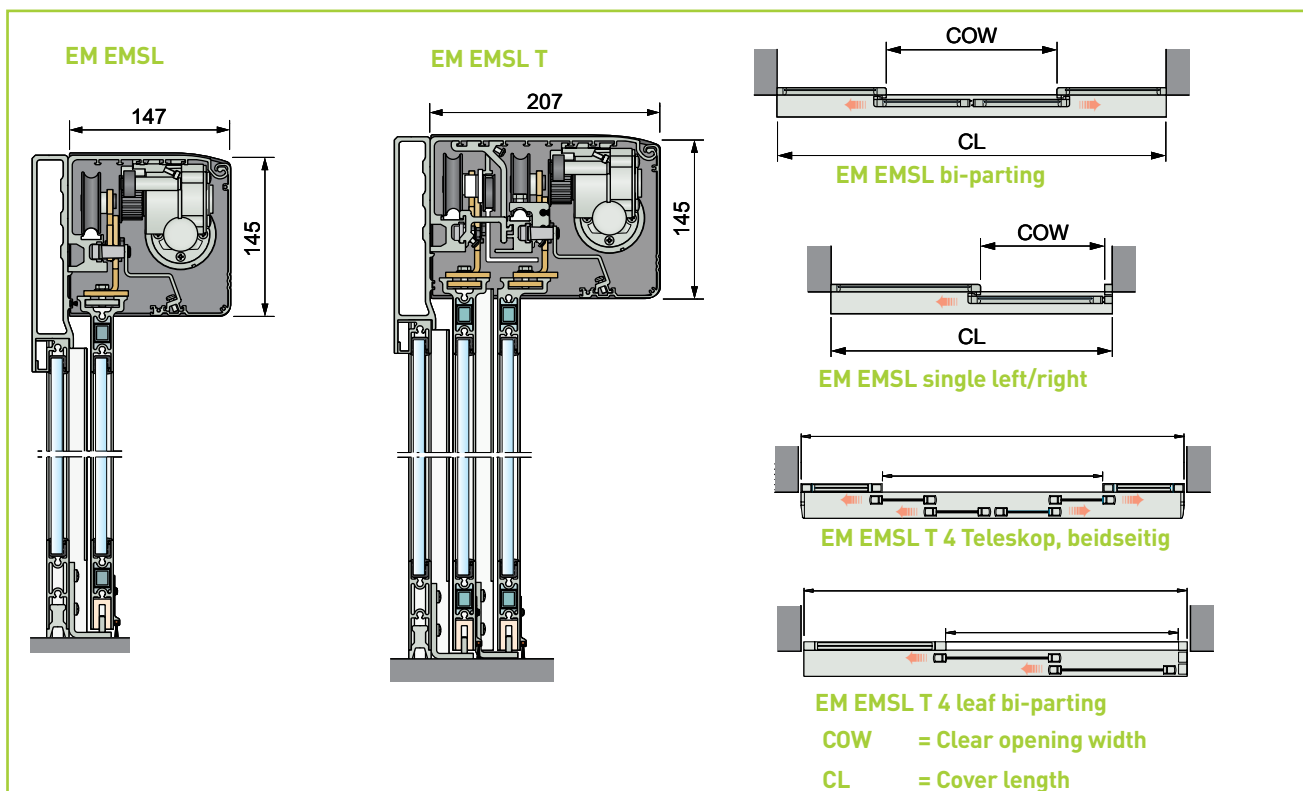
Both EM EMSL/EMSL T are easy to install as a replacement or a new installation. EM Entrematic's operators are designed with years of engineering know-how to make installation simple, quick and flexible. Although sleek in appearance, these operators are suitable for the heaviest duty applications and are pre-programmed to comply with the customer's specific requirements for easy installation.

## World-class Safety

Safety is one of the most vital factors in product development and our operators can be equipped with a variety of sensors providing optimum safety and security. For instance, to permit safe passage between closing doors, the door leaves immediately reverse if an obstruction is detected, then resume at low speed to check whether or not the obstruction has disappeared. If an obstruction is detected between opening door and surrounding walls or interior fittings, the door leaves stop immediately then closes after a time delay. Additionally, the EM EMSL/EMSL T is constructed to meet various authority regulations for emergency escape routes.

## Emergency

The EM EMSL/EMSL T can either be combined with a mechanical emergency unit that automatically opens the doors – or an electronic emergency unit that automatically opens or closes the doors – in the event of a power failure. The EM EMSL/EMSL T can also be interfaced with fire alarms or smoke detectors.



# Models

- EM EMSL bi-parting
- EM EMSL single
- EM EMSL T 4 leaf bi-parting
- EM EMSL T 2 leaf, single

## Standard equipment

Operator including

- Support beam with transmission
- Double carriage wheels
- Electronic control unit with plug-in connections and power supply
- Partial opening width
- Synchronizing of two operators

## Accessories

- Cover in clear anodized aluminium
- Door adaptor for doors up to 65 mm thickness made by others
- Program selector
- Electronic emergency opening unit
- Mechanical emergency opening unit
- Break-out unit
- Emergency button
- Microwave or IR activators
- Presence detection photocells
- Electromechanical locking devices
- Interlocking between two operators
- Key switch
- EMPS Profile System

## Self-monitoring

The microprocessor has an integral self-monitoring device which detects any interference or faulty signals in door operation and takes necessary measures to ensure a safe operation.

## Design

The drive unit, control unit, transmission – or optional emergency unit and electromechanical locking device – are all assembled in the support beam. The drive unit transmits movement to the door leaves by means of a tooth belt. The door leaves with integrated or separately mounted door adaptors can be adjusted height-, length- and depth-wise. Journalled steel rollers and sliding track made of high-grade plastic give exceptionally smooth and silent operation.

## Authority Approval

The EM EMSL/EMSL T meets the following requirements;

SITAC 0137/05

SITAC 0145/05

SITAC 0147/05

TÜV B 09 03 58029 007



## Technical specifications

Power supply:	120 V AC -10% to 240 V AC +10%; 50/60 Hz
Power consumption:	max 250 W
Recommended max. door weight: EM EMSL bi-parting EM EMSL single EM EMSL T bi-parting EM EMSL T single	100 kg/door leaf 200 kg 75 kg/door leaf 100 kg/door leaf
Clear opening: EM EMSL EM EMSL T bi-parting EM EMSL T single	900 – 2800 mm 1600 – 4000 mm 1000 – 3990 mm
Opening and closing speed:	variable up to 1.4 m/s (2 leaves)
Hold open time:	0 – 60 s
Ambient temperature:	-20°C to +50°C
Relative humidity (non-condensing):	5% to 85%

**Entromatic**

Box 669, SE 261 25 Landskrona

Phone: +46 10 47 48 300

Fax: +46 418 201 15

[info.em@entromatic.com](mailto:info.em@entromatic.com)

[www.ementromatic.com](http://www.ementromatic.com)

[www.entromatic.com](http://www.entromatic.com)

